

Wiring diagramm see sheet 2

Die Montageanleitung 7BC000000 wird elektronisch bereitgestellt.  
The assembly instruction 7BC000000 is provided in electronic format.

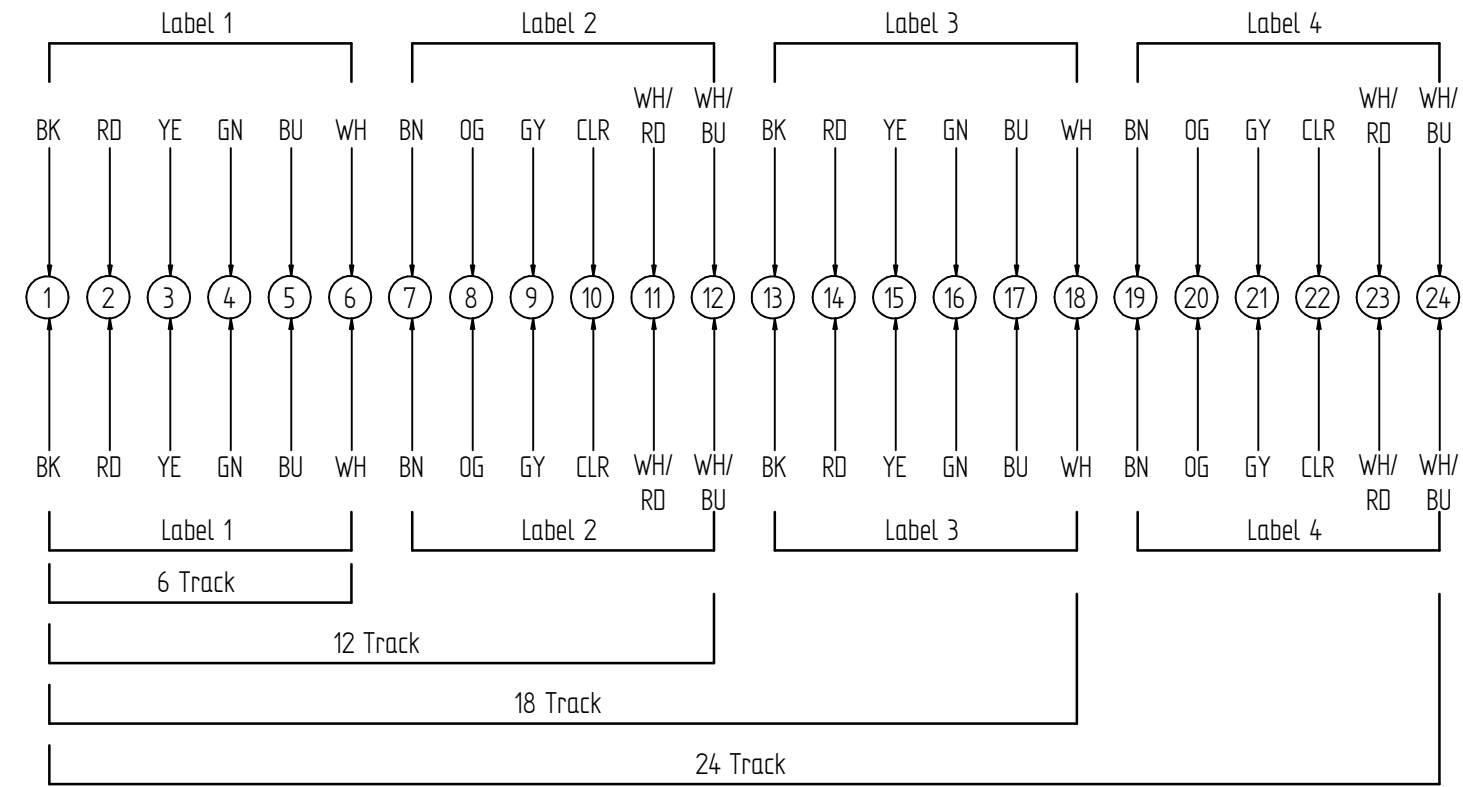
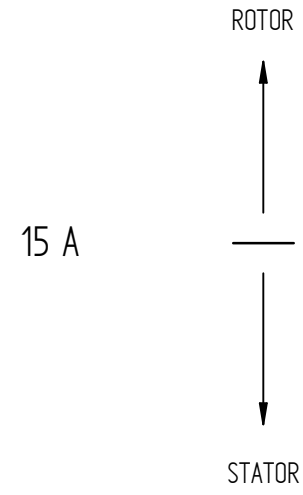
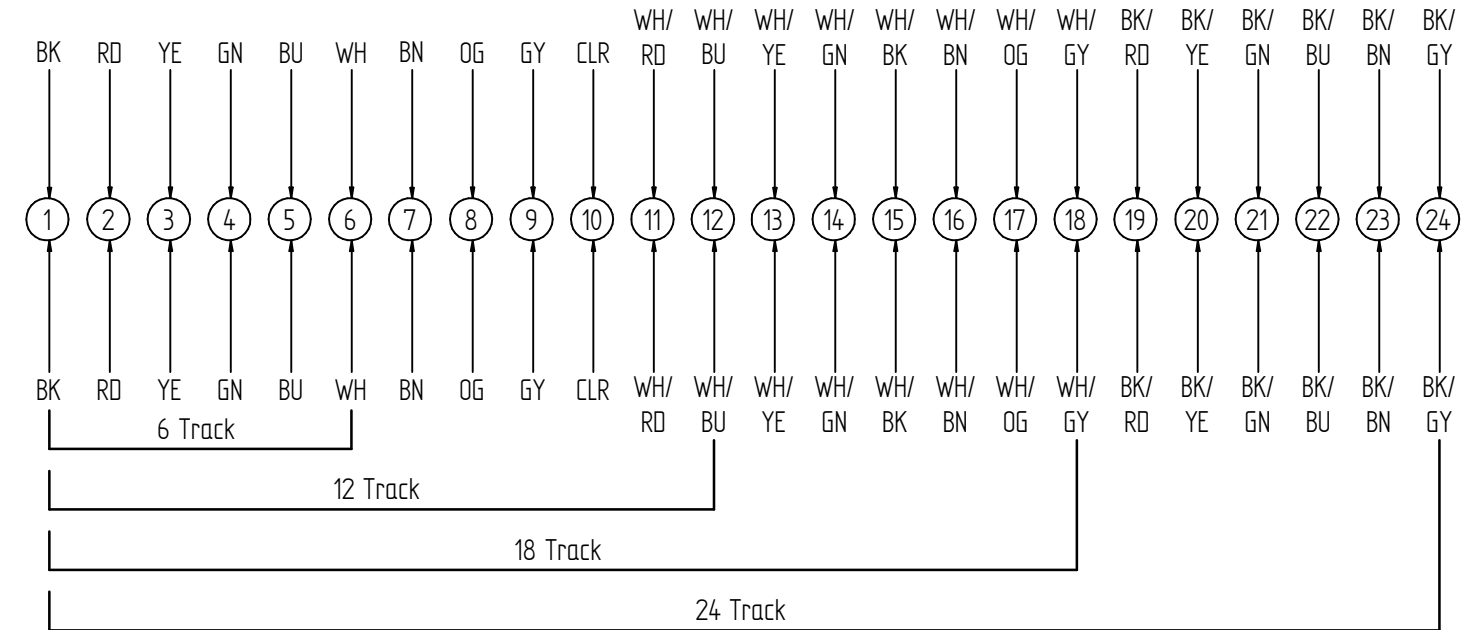
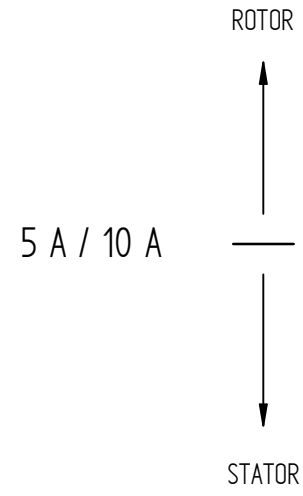
ELECTRONIC & ELECTRIC		MECHANICAL	
Rating Voltage	250 V AC / DC or 400 V AC	Working Speed	300 rpm max.
		Inner Diameter	$\phi 50,0$
		Contact Material	Precious Metals
Current	15 A	Lead Wire Length	STATOR: 250 mm ROTOR: 250 mm
Track	24	/	/
Insulation Resistance	500 M $\Omega$ @ 500 V DC	/	/
ENVIRONMENT		REMARKS	
Working Temperature	-20 °C to +60 °C	Application	see Manual
Working Humidity	$\leq 60\%$ RH	Other	/
Protection Class	IP50	Note:	/

10	1	70C000028	Maverick Schleifring 24-Weg 15A		
Pos.	Anz.	Mat.Nr.	Kurztext	GroÙe/Abmessung	Werkstoff
1	2	3	4	5	6
DIN ISO 5456-2		TOLERANCES		DIN ISO 13715	
ISO 2768 - mH		$+0,3$ $+0,1$		$-0,1$ $-0,3$	
STANDARDS		DWG NO		REVISION	
ISO 8015 ISO 14405		7KC000028		A1	
		Beschreibung		FIRST RELEASE	
		Maverick Slip Ring 24-Track 15A		18.01.2022	
		MATERIAL		DESIGNER	
				CREITER	
				APPROVED	
				AGREPPMAYR	
				CHANGE NO	
				200120151	
				DOCUMENT TYPE	
				Kundenzeichnung	
				SHEET	
				1/2	
				Drafft: 1000955765/D02/000/02	
				Modell: 1000955765/D00/000/02	
				A2	

All drawings are the property of Schleifring GmbH/ Germany and are to be treated as confidential. The reproduction, distribution and utilization as well as the communication of its contents to others without express authorization is prohibited. Offenders will be held liable for the payment of damages. All rights reserved in the event of the grant of a patent, utility model or design.

All drawings are the property of Schleifring GmbH/ Germany and are to be treated as confidential. The reproduction, distribution and utilization as well as the communication of its contents to others without express authorization is prohibited. Offenders will be held liable for the payment of damages. All rights reserved in the event of the grant of a patent, utility model or design.

Cable Table	
Current	Cable
5 A / Signal	AWG17
10 A	
15 A	AWG14



DIN ISO 5456-2 	TOLERANCES ISO 2768 - mH	DIN ISO 13715 	FINISH	SCALE 1:1	REFERENCE 2
STANDARDS ISO 8015 ISO 14405	DWG NO <b>7KC000028</b>	REVISION <b>A1</b>	MATERIAL	WEIGHT 0,001 kg	REFERENCE 1
	Beschreibung Maverick Schleifring 24-Weg 15A DESCRIPTION Maverick Slip Ring 24-Track 15A SIZE/DIM.	CHANGE NO 200120151	DESIGNER CREITER	FIRST RELEASE 18.01.2022	APPROVED AGREPPMAYR
Draft: 1000955765/D02/000/02			Modell: 1000955765/D00/000/02		SHEET 2/2